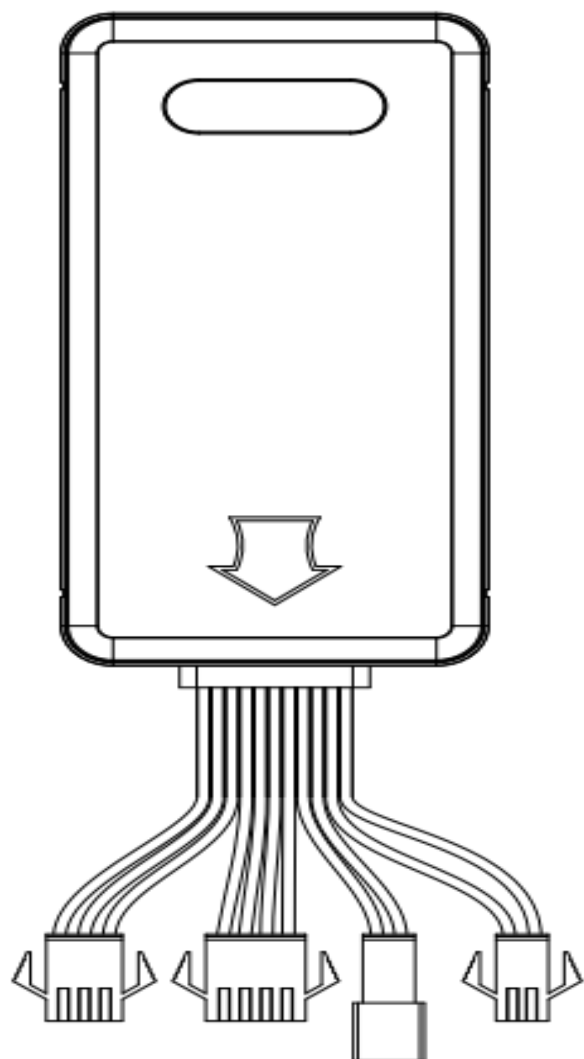


# GM06NW **GSM/GPRS/GPS** Smart **Vehicle Tracker** User Manual



# Contents

一. Brief Introduction.....	4
1.1 Using Use .....	4
1.2 Product Appearance Structure .....	4
1.3 Product Accessories .....	5
二. Specification .....	5
2.1 Specification.....	5
三. Assembling Guide.....	5
3.1 SIM Card Inserting Insertion.....	5
3.2 Wiring Way Wire Connection Method.....	6
3.3 Assembling Locations Assembling settings .....	7
3.4 Lighting Description: Display Lights Description .....	7
四. Functions and Features .....	8
五. Platform Registration .....	9
5.1 How to register the position service platform? .....	9
六. MSM Code and Alarm State .....	9
6.1 MSM Code.....	10
6.2 Various Alarm Switches Setting .....	10
Index 1 Failure and Elimination .....	11
Index 2 After-sales Service and Warranty Card.....	11

## Disclaimer

The user manual is made according to the current information. Considering the update of the product, there will be a little difference with the product. Everything will be subjected to the current product.

This user manual is given for informational purposes only. Any discrepancies between the product (including product updates) and the user manual, please refer to the actual product itself.

## Before Using

- The device uses GPRS which is provided by operator to connect with the platform, so please prepare a Micro SIM card. If you need to do alarm through message sending or calling, it will be better for you to use the card with voice and message function. Please check the money balance regularly. Please contact the related operator to check information in detail.

This device uses GPRS network to connect properly. Please locate a GPRS service provider to purchase a MICRO SIM data card. If voice and SMS function is needed, please purchase a SIM card that includes both functions. Any further question on connectivity issues, please contact sales support. Periodically check the data usage on SIM card to ensure sufficient remaining balance.

- The guardian's phone number should be set first to fulfill all functions. Before setting, the device can only receive instructions from the platform.

The guardian's phone number should be set first to fulfill all functions. Without setting guardian's phone number, the device will not function properly.

- Please keep it away from other interference sources, such as automobile data recorder, interphone or any other vehicle-mounted communication device.
- The professional will modify the circuit of vehicle and other controlled devices. The company will not take the responsibility of damage or losses caused by misoperation.

Please use professional service to modify the circuit of vehicle and other controlled devices. The company will not take responsibility for damage or losses caused by misoperation.

- There are no spare parts in the device, please do not take it apart casually. Please send the product back to our company or the designated place to fix if the device is in trouble.

There are no maintenance requirements for the device so please refrain from taking apart the device. If device is broken, please contact customer service team and mail to the given repair center.

- Please contact with service provider to get the registration way, download and install the APP.

Please contact service provider for registration and additional app information.

## Notice

- Please turn off the device when entering the wireless device forbidden zone (such as airplane, the phone forbidden medical instrument zone, gas station, oil depot, military forbidden zone or any other places which shows clearly)

Please turn off the device when entering a wireless forbidden area (for example, airplane, near medical equipment site, gas station, oil depot, military zone, or any other areas with forbidden signs).

- In case of explosion or pollution, please keep the product away from fire or water

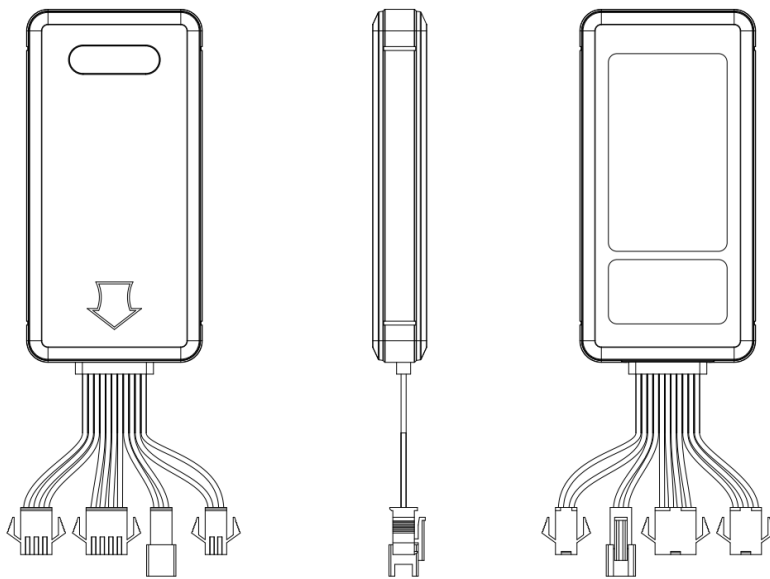
## 一. Brief Introduction

### 1.1 Using Use

GM06NW is of various functional orientation with GPS/BEIDOU/LBS. It can provide car owners several functions , such as orientation, tracking, SOS alarm, anti-theft, replaying of historical running data, etc

The multi-functional GM06NW is GPS/GPRS/GSM/LBS equipped, providing personal and professional tracking, emergency SOS alarm, anti-theft, and trajectory playback service.

### 1.2 Product Appearance Structure



## 1.3 Product Accessories

Name	Quantity	Unit
BEIDOU/GPS Orientation Mainframe <b>GPS/GPRS/GSM Main Body</b>	1	Pcs
Functions Power Connecting Wire	1	Pcs
OBD Power Connecting Wire (Optional)	1	Pcs
SOS Alarm Key (Optional)	1	Pcs
Locker Relay (Optional)	1	Pcs
MIC Wire (Optional)	1	Pcs
User Manual	1	Pcs
Warranty Card	1	Pcs
Certification	1	pcs

## 二. Specification

### 2.1 Specification

Size	90(L) x 45(W) x 13.8(H) mm
Weight	85g
Working Voltage	DC 9V~36V
Spare Battery	180mAH
Working Temperature	-25°C~60°C
Working Humidity	5% - 95%
GSM	850/900/1800/1900 MHz
GPRS	Class 12
GPS Channel	20
GPS Orientation Accuracy	2.5~10 meter <b>Meter</b>
Cold Starting-up	<38s
Hot Starting-up	<15s
GSM / GPS Antenna	Inner Antenna <b>Internal Antenna</b>

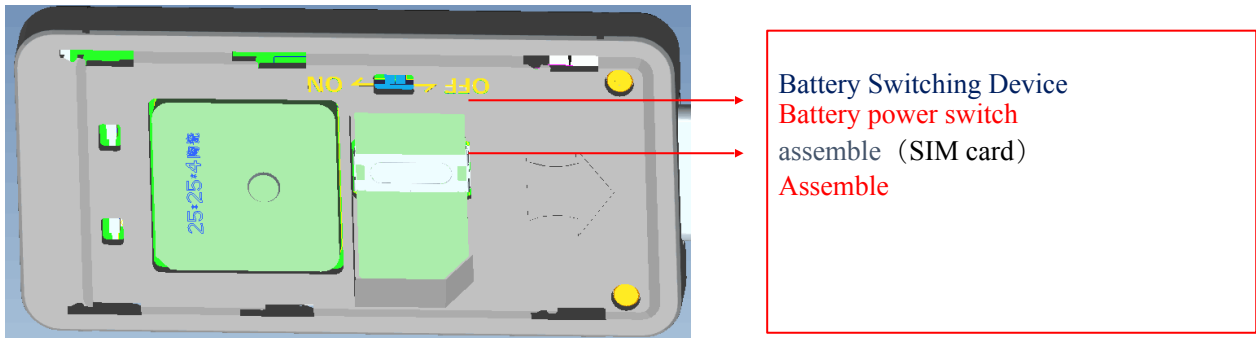
## 三. Assembling Guide

### 3.1 SIM Card Inserting **Insertion**

First, you should unpack and take the shell apart. Second, you should insert the sim card correctly after confirming the power-off state of the device. Third, you should turn on the battery

switching device, then put up the shell.

After the product packaging is removed, make sure the device is turned off and remove the outer case. Once outer case is removed, insert SIM card and turn on the device. Assemble outer case back in position.

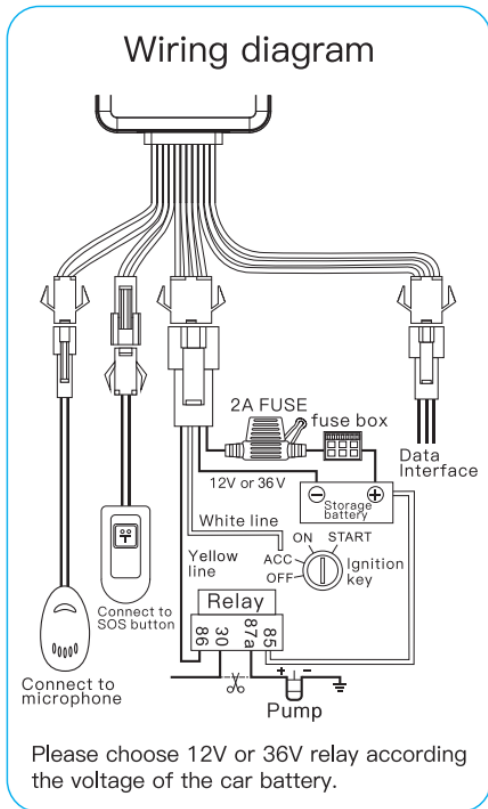


### 3.2 Wiring Way Wire Connection Method

Please switch the wire harness in the vehicle and the controlled device(Please switching the power line in the positive pole and negative pole of power respectively)

Please switch the wire harness in the vehicle and the controlled device(Please switching the power line in the positive pole and negative pole of power respectively)

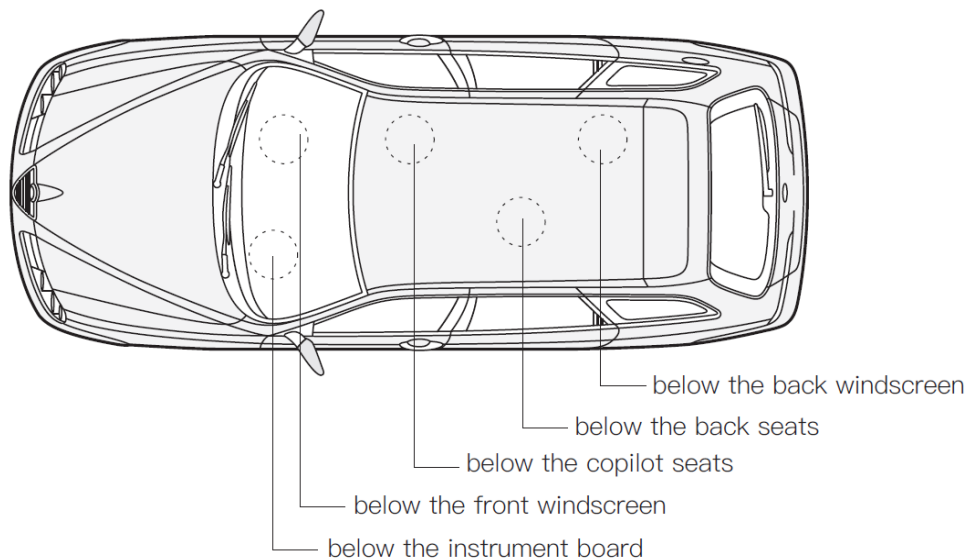
Please ensure the device terminal wires connect properly with the vehicles wires. (Device power line is differentiated with positive and negative pole power respectively)



### 3.3 Assembling Locations **Assembling settings**

Please do according to the recommended assembling locations as follows:

Please refer to bottom diagram for recommended installation area.



### 3.4 Lighting Description: **Display Lights Description**

Blue GSM Lighting Blue GSM Display Light	Normal Outside Electricity Normal External Power	Keep it long lighting: it means normal outside electricity and searching the net. Flash one time and dark in 3 seconds: it means normal outside electricity and normal net.
	Turn off Outside Electricity Disconnected External Power	Flash two times and dark in 3 seconds: it means outside electricity turned off and normal net. Flash two times and lighting in 3 seconds: it means outside electricity turned off and net searching.
Green GPS Lighting		Long lighting: searching GPS signal now Slow flash: GPS satellite oriented Long dark: low power dissipation and dormancy

The device will do AGPS quick orientation when being awakened from low power dissipation model. It will do several times if it failed causing by abnormal net.

## 四. Functions and Features

- **Guardian's Phone Number Setting**  
After setting a guardian's phone number, it will send message to the guardian when something happened to burglar alarm.
- **Remote Burglar Alarm Monitor**  
The device can connect with MIC to do remote burglar alarm monitor.  
When the monitor turned on, the terminal will automatically answer and enter into the state of burglar alarm monitor after the 3 rings of calling from guardian to the terminal. When the monitor turned off, the terminal will hang up after the 3 rings of calling from guardian.  
Please notice the assembling location of outside MIC to confirm the good reception.
- **Calling Tracking**  
When the guardian's phone number being set, the terminal will reply the current location to the guardian automatically after the 3 rings of hanging up phone call from guardian.
- **E-fence setting, In/Out Alarm**  
You can set any shape of e-fence. The e-fence will will alarm when the car gets in or out of the e-fence you set.
- **Power-off Alarm(Wire-cutting Alarm)**  
When the device turned off electricity outside, the device will send power-off alarm message to guardian and platform after 30 seconds. There will be no alarm if the device plug in electricity in 20 seconds. And the device will send power-off alarm one time if it happened continuously in 30 seconds, but the platform will send the messages currently. There will be no power-off alarm if the device turned off the alarm.
- **Defence Setting**  
This function can only be used normally under the condition of the correct ACC wires connection, or it will cause fake alarm and spare MSM fee. After the successful defence setting, it will do the judge of shocking and displacement automatically when the key (ACC wire) closed. This function is the main switch of shocking alarm and displacement alarm.
- **Car-shocking Alarm**  
Under the defense condition, the device will send alarm message to platform and guardian's phone when the car shocks abnormal.
- **Shocking Sensitivity Setting**  
Please choose the available shocking environment fitting the car to help the terminal to judge it better and easier.
- **Displacement Alarm**  
Under the condition of defense organization and the closure of key(ACC wire), if the car displace over the stipulated distance when the GPS orientation is normal. The device will send alarm message to the platform and guardian's phone.
- **Over-speed Alarm**  
You can set the speed boundary through platform and message. When the car driving exceed the speed boundary, it will send alarm message to the platform and guardian's phone.
- **SOS Alarm**  
When the device under the abnormal condition, please press the SOS button. Then the device will send SOS message to the guardian and platform, calling the guardian at the same time.



➤ **Remote Oil and electricity Cutting**

When you find the car was stolen, you can send instruction to cut the oil and electricity through platform, phone APP or message. In case of accident, the car will carry out the instruction when the speed is slower than 10 km under the condition of GPS orientation if the car is running.

Notice: This function will stop the car immediately. Please watch out.

➤ **MSM Tracking**

You can track the car by sending MSM through guardian's phone number.

➤ **Chasing Navigation**

You can do chasing navigation by pressing one key through android or IOS.

## **五. Platform Registration**

### **5.1 How to register the position service platform?**

Please register the position service platform which the dealer designated to do relative setting and function operation.

### **5.2 APP Registration**

Please register the web which the dealer designated to download the phone client-side software and install.

## **六. MSM Code and Alarm State**

## 6.1 MSM Code

Number	Code Name	Code Instruction
1	Guardian's Phone Number Setting	SOS,A,xxxxxxxxxxx#
2	Power-off Alarm and Checking/Setting	POWERALM,OFF# means turning off the power-off alarm; POWERALM,ON, 1# means turning on the power-off alarm through SMS+GRPS; POWERALM# means checking power-off alarm state
3	Displacement Alarm and Checking/Setting	MOVING,OFF# means turning off displacement alarm; MOVING,ON,100,1# means turning on the displacement alarm, the checking semidiameter is 100m, the alarm will be sent by SMS+GPRS; MOVING# means checking displacement alarm state
4	Activate GPS	GPSON# to activate the current GPS orientation, lasting for 5 minutes GPSON,10# to activate the current GPS orientation, lasting for 10 minutes
5	Defence Setting /Defence Withdraw	ARMING,OFF# ARMING,ON#
6	Low-power Alarm and Checking/Setting	BATALM,OFF# means turning off the low-power alarm; BATALM,ON,0# means turning on the low-power alarm, alarm through GPRS to notify; BATALM# means checking low-power alarm state.
7	APN	apn,cmnet,,#

Notice: 1. All of the code will be under the condition of English format.

## 6.2 Various Alarm Switches Setting

There is message, phone and platform to alarm. Each alarm type will support one or various alarm ways.

Alarm Type	MSM Main Swith	Phone Main Switch	Platform Alarm Switch	MSM Alarm Switch	Phone Alarm Switch
Power-off Alarm	Turn on	Turn off	Turn on	Turn on	Turn on
Shocking Alarm			Turn on	Turn on	Turn on
Displacement Alarm			Turn on	Turn on	Turn on
Low Battery Alarm			Turn on	Turn on	Turn on
E-fence			Support	Turn off	Turn off

# Index 1 Failure and Elimination

→ Why the device is offline?

1. Please check the device lighting, blue GSM signal lighting flashing one time in 3 seconds means the normal connection of server. If this lighting bright long time means that the SIM card being flexible or poor contact. At that time, you can try to power off and reinsert the SIM card.
2. If the SIM card in the device have the phone call function, please try to make calls. It will hang up automatically in normal situation. If it says that powered-off or can not be connected for now, please try to power off and reinsert SIM card.
3. If the blue GSM signal lighting and phone call function all normal, the device is offline, please contact with technicians to help or sending it back to fix.

→ The device can not be oriented when online?

1. Please check the lighting when the device is powered on. It means successful orientation when the green GPS signal lighting flashes a time in 3 seconds. If the lighting is bright, it means that the device is not oriented. Please confirm that GPS/BEIDOU pottery side is upwards or not. Then please confirm if there is any metal thing surrounded to keep it out.
2. If the device assembling way and location is right, please try to restart, locate the device outdoors and using inner battery to provide power. You can check if it oriented successfully or not through this way.
3. If the device still can not be oriented outdoors, please contact with technicians to help or sending it back to fix.

→ The device is offline when using?

1. First, please confirm if the SIM card charges owed or not;
2. If the SIM card have the phone call function, please try to call the SIM card number. The device will hang up in the normal condition. Then you can send message(at+wpar=reset) to the device to restart. If the device still offline after restarting, please check the device and restart it by hand.
3. If it says that it is powered off or can not connected for now when calling, the car may stay in the weak signal place such as basement parking. The device will be online automatically after the car drive out of the basement parking. Please restart by hand if you confirm the surroundings is good and the car is driving when offline.
4. If it can not be online after restart by hand, please contact with technicians to help or sending it back to fix.

→ The accuracy of satellite orientation.

1. Please confirm that the device is outdoors or there are metal shields around the BDS/GPS antenna assembled location.

The accuracy of satellite orientation is about 10m. If the orientation is not accurate, the normal reason is that the device is transformed into the indoors. This product has two orientation ways of BDS/GPS and BLS. When the device is indoors, it will change to BLS automatically. The accuracy of BLS is ranging from 50m to hundreds meters. You can choose to turn off the BLS orientation.

→ Why the monthly GPRS card out of charge before time limited?

Monthly GPRS card just provide data traffic in a month, not including the fee of messages and phone calls. If you use messages, it will cut down the time. You can operate all settings and functions through APP, WEB, etc. Hope you will take it in the first consideration to buy.

→ When registering, it shows that there is no existing of IMEI or account. The registration fails.

Please contact the customer service to add the IMEI.

# Index 2 After-sales Service and Warranty

# Card

- The buyer can return, change or have warranty if the product is in nature trouble in 7 days.
- The buy can have free-charging warranty service if the product is in trouble which's not caused by human in a year.
- Please provide the warranty card when you need warranty service. The company have the right to refuse warranty service if you can not provide the warranty card or unilateral amend.
- The company will not provide warranty if the damage caused by the reasons below, but can help to fix and collect the spare part cost.
  - The damage is caused by human fact
  - The damage is caused by misconnecting wires.
  - The damage is caused by the operation which is not according to the user manual.
  - The damage is caused by some irresistible factors, such as natural disasters, lightning stroke.

Please save the warranty card well in order that we could provide better after-sales service.

User Name			
Address			
Telephone			
Seller's Name			
Date to Buy		Model Number	
Add to Buy		IMEI	
Local Seller	(Stamp)	Local Seller's Phone	
Warranty Date	Warranty Content		

